



Powering Business Worldwide

New BLAZER Product Proposal

2016/Nov/11



Powering Business Worldwide

© 2014 Eaton. All Rights Reserved.

New BLAZER

600/800VA

1000/1500/2000VA



Cost-effective UPS with AVR for home and office applications

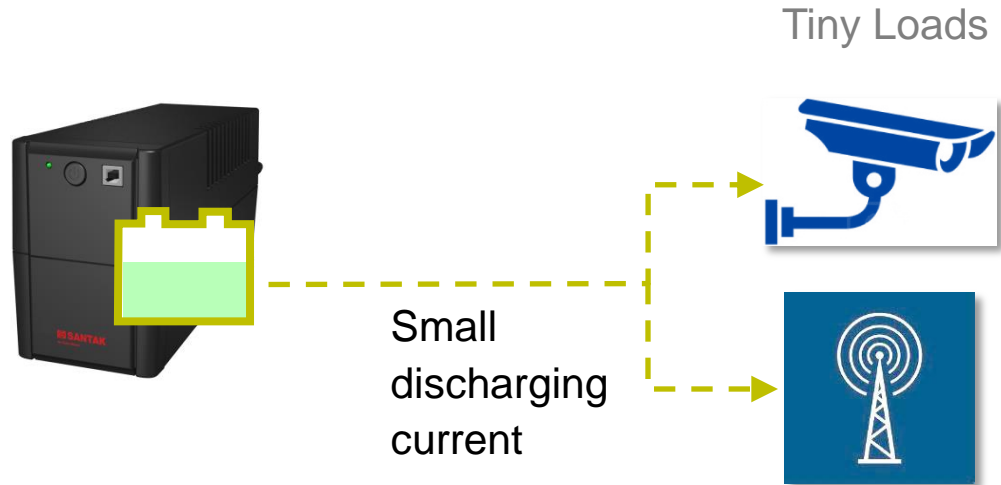
- ✓ Boost/Buck voltage regulation
- ✓ Compact size
- ✓ 2-4 hours fast charging
- ✓ Tiny-Load Sensing technology
- ✓ HID-UPS-Battery-supported USB
- ✓ CE Compliant

Upgraded from SANTAK's best-seller BLAZER UPS, and enhanced by SANTAK's leading technologies

Tiny Load Sensing

What are tiny loads?

- Loads <50W
- Security cameras
- Digital recorder
- Broadcasting devices



What is the problem with tiny loads?

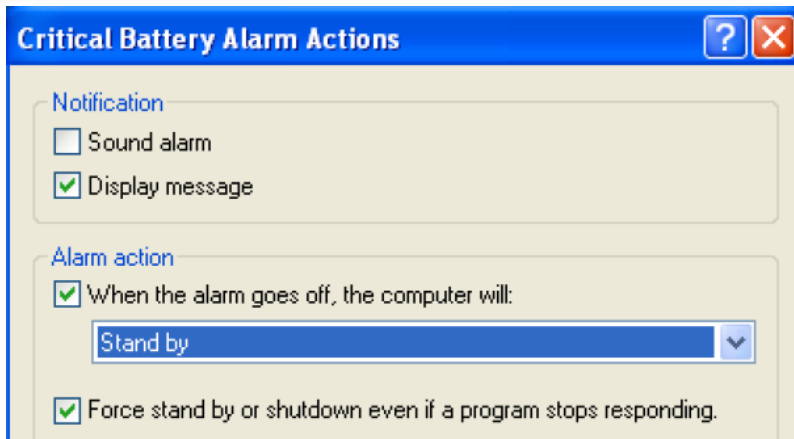
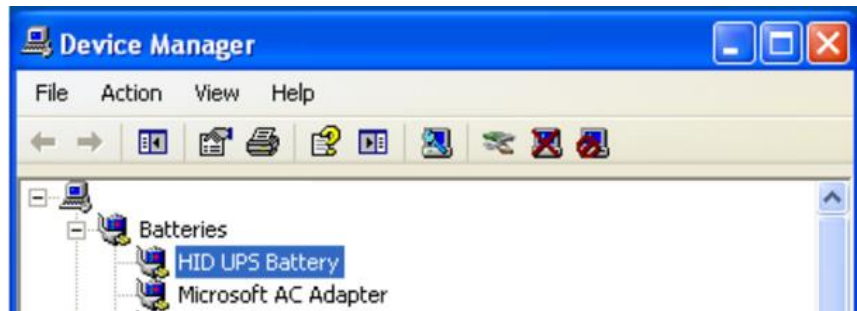
When UPS supplies tiny loads in battery mode, the discharging current is small and can result in Deep Discharge problem on battery. Deep Discharge may shorten the battery's service life and increase the maintenance cost.

What is Tiny Load Sensing?

UPS with Tiny Load Sensing can actively detect tiny loads, and stop the discharge in advance before battery becomes deeply discharged.

⇒ UPS can support tiny loads without facing the deep-discharge problem.

HID-UPS-Battery-supported USB Interface



No software installation needed!

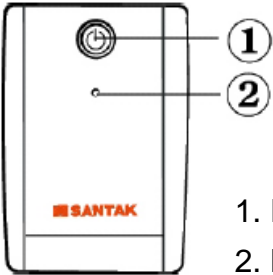

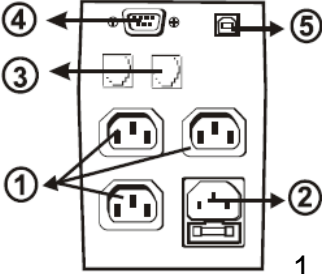

Computer's OS (Operating System) such as Windows/Linux/Mac OS comes with an embedded power management and monitoring function.

When such computer connects to a UPS with this feature via USB cable, the UPS will be automatically recognized by the OS as a "HID UPS Battery", and user can configure the alarm action in the event of low battery, such as shutting down the computer automatically.

UPS with this feature is also ideal as a back-up power for NAS (Network-Attached Storage).

Specification Compare

600/800VA

	Current BLAZER	New BLAZER
Front Panel	 <p>1. Power Switch 2. LED indicator</p>	 <p>1. LED indicator 2. Power Switch 3. Front panel USB interface for easy installation</p>
Rear Panel	 <p>1. IEC(3) Socket 2. IEC Inlet 3. RJ11 Port 4. RS232 Port(optional) 5. USB Port</p>	 <p>1. IEC Inlet 2. IEC(4) output socket 3. RJ11 Port</p>

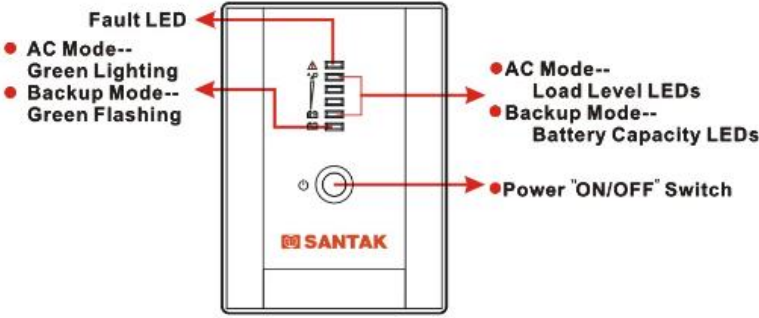

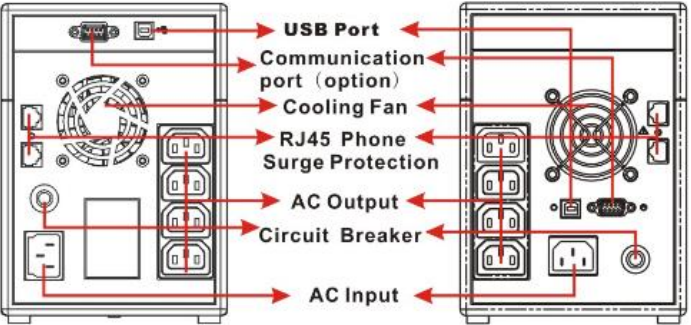

Specification Compare

600/800VA

MODEL		BLAZER 600-E	BLAZER 800-E	BLAZER 600-E new	BLAZER 800-E new
Capacity	VA/W	600VA/360W	800VA/480W	600VA/360W	800VA/480W
Input	Nominal Voltage	220VAC		220VAC	
	Voltage Range	170 - 280VAC		170 - 280 VAC	
	Frequency Range	45 - 55Hz		45 - 55Hz	
Output	Nominal Voltage	220VAC		220VAC	
	Voltage Regulation (Bat. Mode)	+/-10%		+/-10%	
	Frequency (synchronized range)	50Hz		50Hz	
	Frequency Regulation (Bat. Mode)	+/-1Hz		+/-1Hz	
Battery	Waveform (Bat. Mode)	Modified Sinewave		Modified Sinewave	
	Brand	CSB or YUASA		CSB or YUASA	
	Type and number	12V/7Ah *1	12V/9Ah *1	12V/7Ah *1	12V/9Ah *1
	Back-up time @ 100W load	18 mins	22 mins	16 mins	20 mins
	Charging time	6 hours to 90%		2-4 hours to 90%	
Efficiency	Line Mode	> 95%		> 95%	
	AVR Mode	> 88%		> 88%	
	Battery Mode	> 60%		> 60%	
Indicator		1 LED		1 LED	
Audible alarm		Yes		Yes	
Physical	Dimension (DxWxH) mm	330 x 100 x 140		300 x 100 x 143	
	Net Weight (kgs)	6.0kg	6.5kg	4.5kg	5.0kg
Interface	USB	Yes		Yes (HID)	
	RS232	No		No	
	TVSS	RJ11		RJ11	

Specification Compare

1000/1500/2000VA

	Current BLAZER	New BLAZER
Front Panel	 <ul style="list-style-type: none"> ● Fault LED ● AC Mode-- Green Lighting ● Backup Mode-- Green Flashing ● AC Mode-- Load Level LEDs ● Backup Mode-- Battery Capacity LEDs ● Power "ON/OFF" Switch 	 <ol style="list-style-type: none"> 1. Power Switch 2. LED indicators
Rear Panel	 <ul style="list-style-type: none"> ● USB Port ● Communication port (option) ● Cooling Fan ● RJ45 Phone Surge Protection ● AC Output ● Circuit Breaker ● AC Input <p>1000VA 1400VA/2000VA</p> <p>IEC(4) output socket</p>	<p>1000VA w/o Fan 1500/2000VA</p>  <p>IEC(6) output socket</p>

Specification Compare

1000/1500/2000VA

MODEL		BLAZER-1000E	BLAZER-1400EH	BLAZER-2000EH	BLAZER-1000E new	BLAZER-1400EH new	BLAZER-2000EH new
Capacity	VA/W	1000VA/600W	1400VA/840W	2000VA/1200W	1000VA/600W	1500VA/900W	2000VA/1200W
Input	Nominal Voltage	220VAC			220VAC		
	Voltage Range	170 - 280VAC	166 - 280VAC		170 - 280 VAC		
	Frequency Range	45 - 55Hz			45 - 55Hz		
Output	Nominal Voltage	220VAC			220VAC		
	Voltage Regulation(Bat.)	+/-10%	+/-5%		+/-10%		
	Frequency (synchronized range)	50Hz			50Hz		
	Frequency Regulation (Bat.)	+/-1Hz			+/-1Hz		
	Waveform (Bat.)	Modified Sinewave			Modified Sinewave		
Battery	Brand	CSB or YUASA			CSB or YUASA		
	Type and Number	12V/7Ah *2	12V/9Ah *2	12V/9Ah *2	12V/7Ah *2	12V/9Ah *2	12V/9Ah *2
	Back-up time @100W load	40 mins	45 mins	45 mins	40 mins	50 mins	50 mins
	Charging time	10 hours to 90%	6 hours to 90%		2-4 hours to 90%		
Efficiency	Line Mode	> 95%			> 95%		
	AVR Mode	> 88%			> 88%		
	Battery Mode	> 60%			> 60%		
Indicator		6 LEDs			3 LEDs		
Audible alarm		Yes			Yes		
Physical	Dimension (DxWxH) mm	405 x 145 x 205			364 x 139 X 195		
	Net Weight (kgs)	9.6kg	9.6kg	9.8kg	8.8kg	10.3kg	10.3kg
Interface	USB	Yes			Yes (HID)		
	RS232	No			No		
	TVSS	RJ45			RJ45		

Palletization

Product	Model	packaging	pallet size	Qty/Pallet	pallet qty (20"container)	unit qty (20"container)	pallet qty (40"container)	pallet qty (40"container)
current BLAZER	600VA	4 retail box into 1 external box	1200*1000*126	80	18(2 layer)	1440	40(2 layer)	3200
	800VA		1200*1000*126	80	18(2 layer)	1440	40(2 layer)	3200
	1000VA	1 box	1200*1000*136	30	20(2 layer)	600	42(2 layer)	1260
	1400VA		1200*1000*136	30	20(2 layer)	600	42(2 layer)	1260
	2000VA		1200*1000*136	30	20(2 layer)	600	42(2 layer)	1260
NEW BLAZER	600VA	4 retail box into 1 external box	1200*1000*126	192	10	1920	21	4032
	800VA		1200*1000*126	192	10	1920	21	4032
	1000VA	1 box	1200*1000*126	30	20(2 layer)	600	42(2 layer)	1260
	1500VA		1200*1000*126	30	20(2 layer)	600	42(2 layer)	1260
	2000VA		1200*1000*126	30	20(2 layer)	600	42(2 layer)	1260

- Carton/Manual/Label artwork in same style as current BLAZER
- One pallet dimension for all BLAZER models
- Optimized palletization design and more quantity in one pallet for 600/800VA

EATON

Powering Business Worldwide